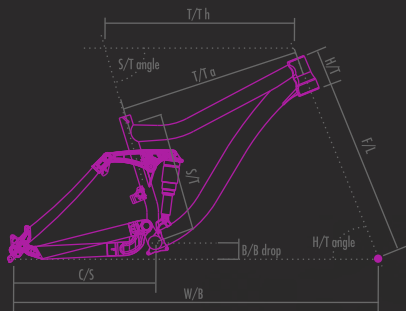


frame geometry

frame geometry chart

Size	S/T	T/T h	T/T a	H/T	C/S	W/B	S/Ta	H/Ta	F/L	B/B drop	B/B width	Seat post \varnothing	Clamp \varnothing	Steerer Tube
S (15")	395	550	530	120	430	1112	73	68	520	-20	73	30,9	34,9	Taper*
M (17")	432	570	548	130	430	1132	73	68	520	-20	73	30,9	34,9	Taper*

frame geometry drawing



size chart - frame vs. body

height in cm	frame size
155 - 170	15" (S)
165 - 180	17" (M)

Data in the table are approximate and are used to determine the basic frame size according to height. To determine the exact frame size, we recommend the test on bicycle.

geometry chart legend

- S/T - seat tube length - BB center to top of top seat tube
- T/T h - top tube length - horizontal
- T/T a - top tube length - actual
- H/T - head tube length
- W/B - wheel base length
- C/S - chain stay length
- S/T a - seat tube angle
- H/T a - head tube angle
- F/L - fork length
- B/B drop - bottom bracket drop
- B/B width - bottom bracket width

Taper* - conical steerer tube [1 1/8" to 1,5"]