

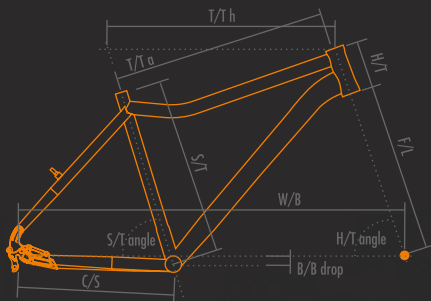
frame geometry

frame geometry chart

Size	S/T	T/T h	T/T a	H/T	C/S	W/B	S/Ta	H/Ta	F/L	B/B drop	B/B width	Seat post \varnothing	Clamp \varnothing	Steerer Tube
16"	406	562	545	130	435	1058	73,5	71	450*	35	68	27,2	31,8	1 1/8"
18"	457	572	550	140	435	1070	73,5	71	450*	35	68	27,2	31,8	1 1/8"
20"	508	590	568	140	435	1087	73,5	71	450*	35	68	27,2	31,8	1 1/8"
22"	559	612	590	165	435	1110	73,5	71	450*	35	68	27,2	31,8	1 1/8"

frame geometry drawing

size chart - frame vs. body



height in cm

frame size

140 - 155

16"

155 - 170

18"

165 - 180

20"

180 - 195

22"

Data in the table are approximate and are used to determine the basic frame size according to height. To determine the exact frame size, we recommend the test on bicycle.

geometry chart legend

S/T - seat tube length - BB center to top of top seat tube

T/T h - top tube length - horizontal

T/T a - top tube length - actual

H/T - head tube length

W/B - wheel base length

C/S - chain stay length

S/T a - seat tube angle

H/T a - head tube angle

F/L - fork length

B/B drop - bottom bracketed drop

B/B width - bottom bracketed width

450* - Sincity 3.0 = F/L 483 mm