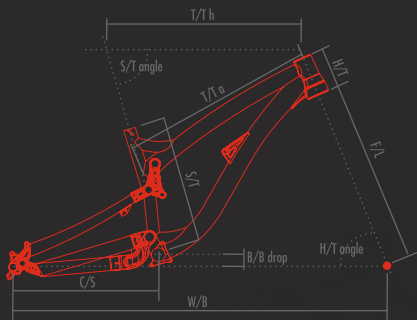


frame geometry

frame geometry chart

Size	S/T	T/T h	T/T a	H/T	C/S	W/B	S/T a	H/T a	F/L	B/B drop	B/B width	Seat post \varnothing	Clamp \varnothing	Steerer Tube
S (15.5")	395	595	562	110	430	1180	67	64	568	-15	83	30,9	34,9	1 1/8"
M (17")	410	615	585	110	430	1200	67	64	568	-15	83	30,9	34,9	1 1/8"

frame geometry drawing



size chart - frame vs. body

height in cm	frame size
160 - 175	15.5" (S)
170 - 190	17" (M)

Data in the table are approximate and are used to determine the basic frame size according to height. To determine the exact frame size, we recommend the test on bicycle.

geometry chart legend

S/T - seat tube length - BB center to top of top seat tube

T/T h - top tube length - horizontal

T/T a - top tube length - actual

H/T - head tube length

W/B - wheel base length

C/S - chain stay length

S/T a - seat tube angle

H/T a - head tube angle

F/L - fork length

B/B drop - bottom bracket drop

B/B width - bottom bracket width