

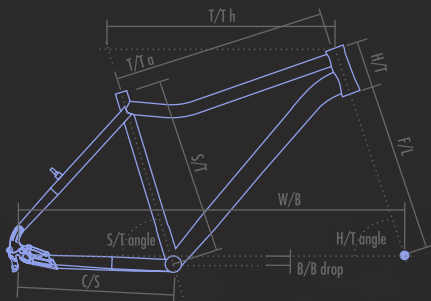
frame geometry

frame geometry chart

Size	S/T	T/T h	T/T a	H/T	C/S	W/B	S/Ta	H/Ta	F/L	B/B drop	B/B width	Seat post \varnothing	Clamp \varnothing	Steerer Tube
14"	356	535	529	110	420	1033	74	69,5	480	30	68*	31.6	34.9	1 1/8"
16"	406	560	541	120	420	1053	73,5	69,5	480	30	68*	31.6	34.9	1 1/8"
18"	457	585	561	130	420	1073	73	69,5	480	30	68*	31.6	34.9	1 1/8"

frame geometry drawing

size chart - frame vs. body



height in cm

frame size

130 - 150

14"

145 - 165

16"

160 - 180

18"

Data in the table are approximate and are used to determine the basic frame size according to height. To determine the exact frame size, we recommend the test on bicycle.

geometry chart legend

S/T - seat tube length - BB center to top of top seat tube

T/T h - top tube length - horizontal

T/T a - top tube length - actual

H/T - head tube length

W/B - wheel base length

C/S - chain stay length

S/T a - seat tube angle

H/T a - head tube angle

F/L - fork length

B/B drop - bottom bracket drop

B/B width - bottom bracket width

68* - Nikita B.O = BB width 73 mm