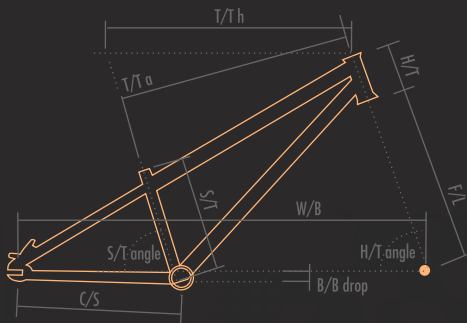


frame geometry

frame geometry chart

Size	S/T	T/T h	T/T a	H/T	C/S	W/B	S/T a	H/T a	F/L	B/B drop	B/B width	Seat post \varnothing	Clamp \varnothing	Steerer Tube
EXE 24 11"	280	557	547	120	380	1017	73,5	69,5	440	0	73	25,4	28,6	1 1/8"
EXE 1.0 11"	280	598	586	120	400	1059	72,5	70	465	15	73	25,4	28,6	1 1/8"

frame geometry drawing



geometry chart legend

- S/T - seat tube length - BB center to top of top seat tube
- T/T h - top tube length - horizontal
- T/T a - top tube length - actual
- H/T - head tube length
- W/B - wheel base length
- C/S - chain stay length
- S/T a - seat tube angle
- H/T a - head tube angle
- F/L - fork length
- B/B drop - bottom bracket drop
- B/B width - bottom bracket width