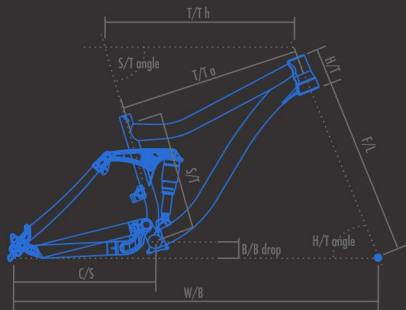


# frame geometry

## frame geometry chart

Size	S/T	T/T h	T/T a	H/T	C/S	W/B	S/Ta	H/Ta	F/L	B/B drop	B/B width	Seat post $\varnothing$	Clamp $\varnothing$	Steerer Tube
S (15")	395	580	558	120	430	1143	73	68	530	-20	73	30,9	34,9	Taper*
M (17")	432	600	577	130	430	1164	73	68	530	-20	73	30,9	34,9	Taper*
L (19")	475	620	598	130	430	1184	73	68	530	-20	73	30,9	34,9	Taper*

## frame geometry drawing



## size chart - frame vs. body

height in cm	frame size
160 - 175	15" (S)
170 - 185	17" (M)
180 - 200	19" (L)

Data in the table are approximate and are used to determine the basic frame size according to height. To determine the exact frame size, we recommend the test on bicycle.

## geometry chart legend

- S/T - seat tube length - BB center to top of top seat tube
- T/T h - top tube length - horizontal
- T/T a - top tube length - actual
- H/T - head tube length
- W/B - wheel base length
- C/S - chain stay length
- S/T a - seat tube angle
- H/T a - head tube angle
- F/L - fork length
- B/B drop - bottom bracket drop
- B/B width - bottom bracket width

Taper\* - conical steerer tube (1 1/8" to 1,5")